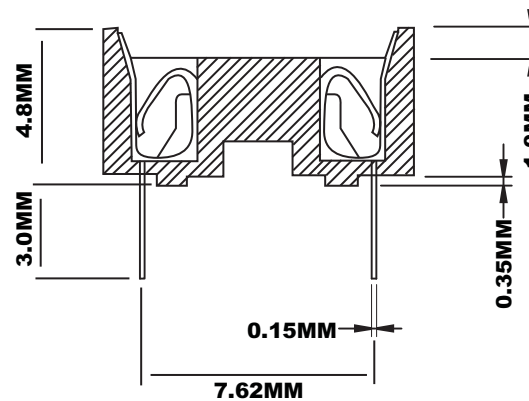


Recommended P.C.B. Layout

Material:

- Contact Resistance: 30 MΩ Max. @ 100mA DC
- Insulator Resistance: 1,000 MΩ Min. @ 500V DC
- Current Rating: 1 Amp
- Dielectric Withstanding Voltage: 500V AC for 1 minute
- Operating Temperature: -55°C ~ +105°C
- Contact: Phosphor Bronze, Tin Plated
- Housing: PBT & 30% Glass Fiber (UL 94V-0)



⊕ = Assmann logo



ITEM NO. **A08-LC-TT-R**

TITLE Low Cost Version IC Socket
8 Pin Straight Leg, 7.62MM Pitch

ASSMANN
Electronics, Inc.
1840 W. Drake Drive, Suite 101 • Tempe, AZ 85283
Toll Free: 1-877-277-6266 • Email: info@usa-assmann.com

THIS DRAWING IS UNPUBLISHED
©Copyright 2009 by Assmann Electronic Components
All International Rights Reserved