

1

2

3

4

5

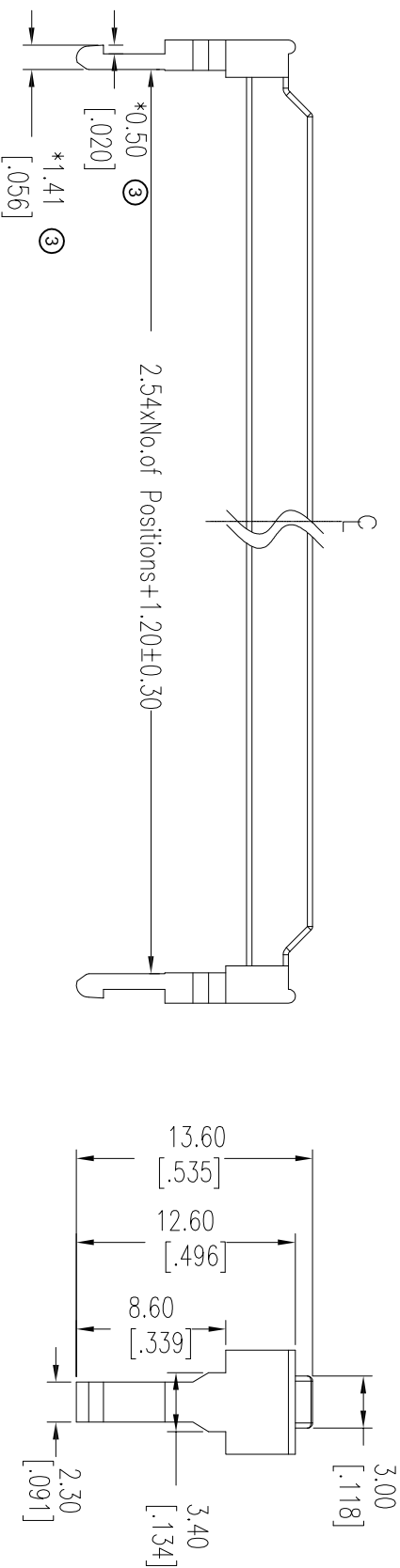
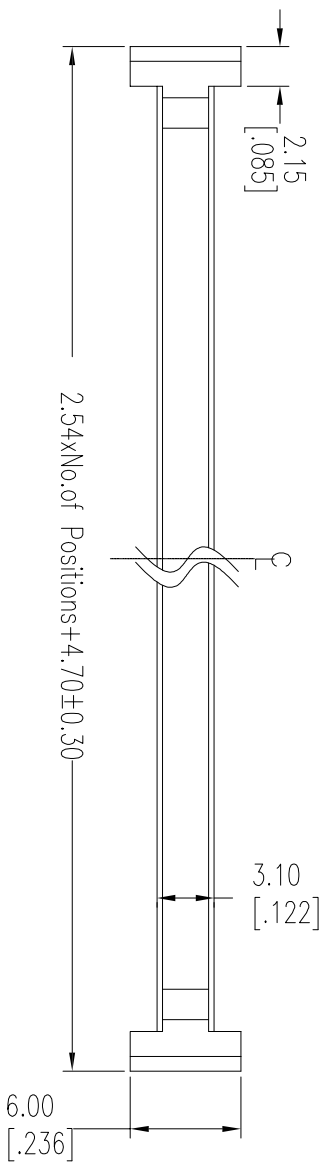
6

7

Strain Relief

NOTES:

- 1.Pin No. : 6-64P
- 2. Notes: No deformation on surface, Burr : 0.05mm max
- 3. Material : PBT+30%GF



RoHS compliant

Scale	1:1								
TOLERANCE									
X.X	±0.15			Drawn	21.11.2001	Hellwig			
X.XX	±0.10			Approved	22.11.2013	Ray			
X.XXX	±0.05	③	Update dimension						
X.°	±2°	②	Change plant		13.03.2009	Dean			
X.X°	±X°	①	Drawn		21.01.2001	Hellwig			
X.XX°	±X°								
X.XXX°	±X°								

Id.	Modification	Date	Name
①	Drawn	21.11.2001	Hellwig
②	Change plant	13.03.2009	Dean
③	Update dimension	22.11.2013	Ray

Date	Name	Customer-No.
21.11.2001	Hellwig	
22.11.2013	Ray	

ASSMANN WSW-No.	AWZ-XX-T

Drawing-No.	ASS 1194B CO	rev03

Replace	Sheet

1

2

3

4

5

6

7

SVxxx